

1 EXISTING FLOOR PLAN
 A1 3/16" = 1'-0"

NOTE: THE USER OF THESE DRAWINGS IS TO VERIFY DATA CONTAINED HEREIN AND IS HELD RESPONSIBLE TO REPORT ANY OMISSIONS OR ANY DISCREPANCIES FOR AMENDMENT. MAKE IT HOME'S LIABILITY RELATED TO THESE DRAWINGS IS LIMITED TO MAKING THESE CHANGES. DRAWINGS ARE NOT TO BE SCALED.

General Notes:
 ALL DIMENSIONS ARE TO INSIDE OR OUTSIDE FACE OF STUDS, UNLESS OTHERWISE NOTED. CONTRACTOR SHALL VERIFY ALL DIMENSIONS ON SITE. ALL TYPES, SIZES, AND LOCATIONS OF DOORS AND WINDOWS TO BE VERIFIED BY OWNER. EXACT LOCATIONS OF INTERIOR PARTITIONS TO BE VERIFIED BY OWNER. ALL INTERIOR PARTITION WALLS ARE 2x4 STUDS @ 16" O.C. UNLESS OTHERWISE NOTED. WINDOWS AND DOORS SIZES ARE TO BE CONFIRMED BY OWNER.

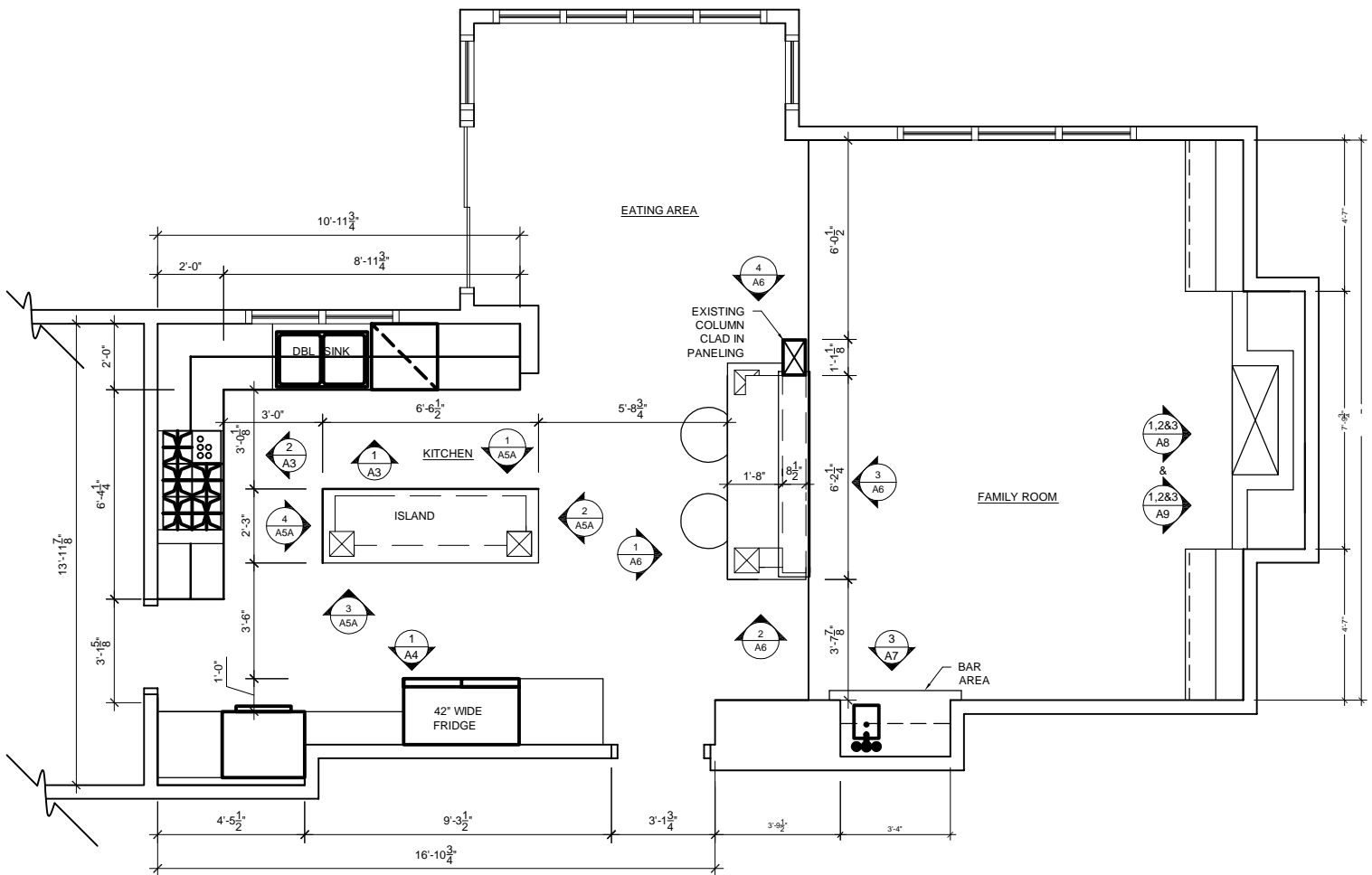
Make It Home
 Design / Build
 Renovation Company
 71 Ferndale Avenue
 Winnipeg, Manitoba, R3H 1T7
 Ph: (204) 290-8113



Kitchen/Living Room Renovation
 Winnipeg, Manitoba

DATE: 2009
 SCALE: as noted

A1



1 NEW FLOOR PLAN
 A2 3/16" = 1'-0"

NOTE: THE USER OF THESE DRAWINGS IS TO VERIFY DATA CONTAINED HEREIN AND IS HELD RESPONSIBLE TO REPORT ANY OMISSIONS OR ANY DISCREPANCIES FOR AMENDMENT. MAKE IT HOME'S LIABILITY RELATED TO THESE DRAWINGS IS LIMITED TO MAKING THESE CHANGES. DRAWINGS ARE NOT TO BE SCALED.

General Notes:
 ALL DIMENSIONS ARE TO INSIDE OR OUTSIDE FACE OF STUDS, UNLESS OTHERWISE NOTED. CONTRACTOR SHALL VERIFY ALL DIMENSIONS ON SITE. ALL TYPES, SIZES, AND LOCATIONS OF DOORS AND WINDOWS TO BE VERIFIED BY OWNER. EXACT LOCATIONS OF INTERIOR PARTITIONS TO BE VERIFIED BY OWNER. ALL INTERIOR PARTITION WALLS ARE 2x4 STUDS @ 16" O.C. UNLESS OTHERWISE NOTED. WINDOWS AND DOORS SIZES ARE TO BE CONFIRMED BY OWNER.



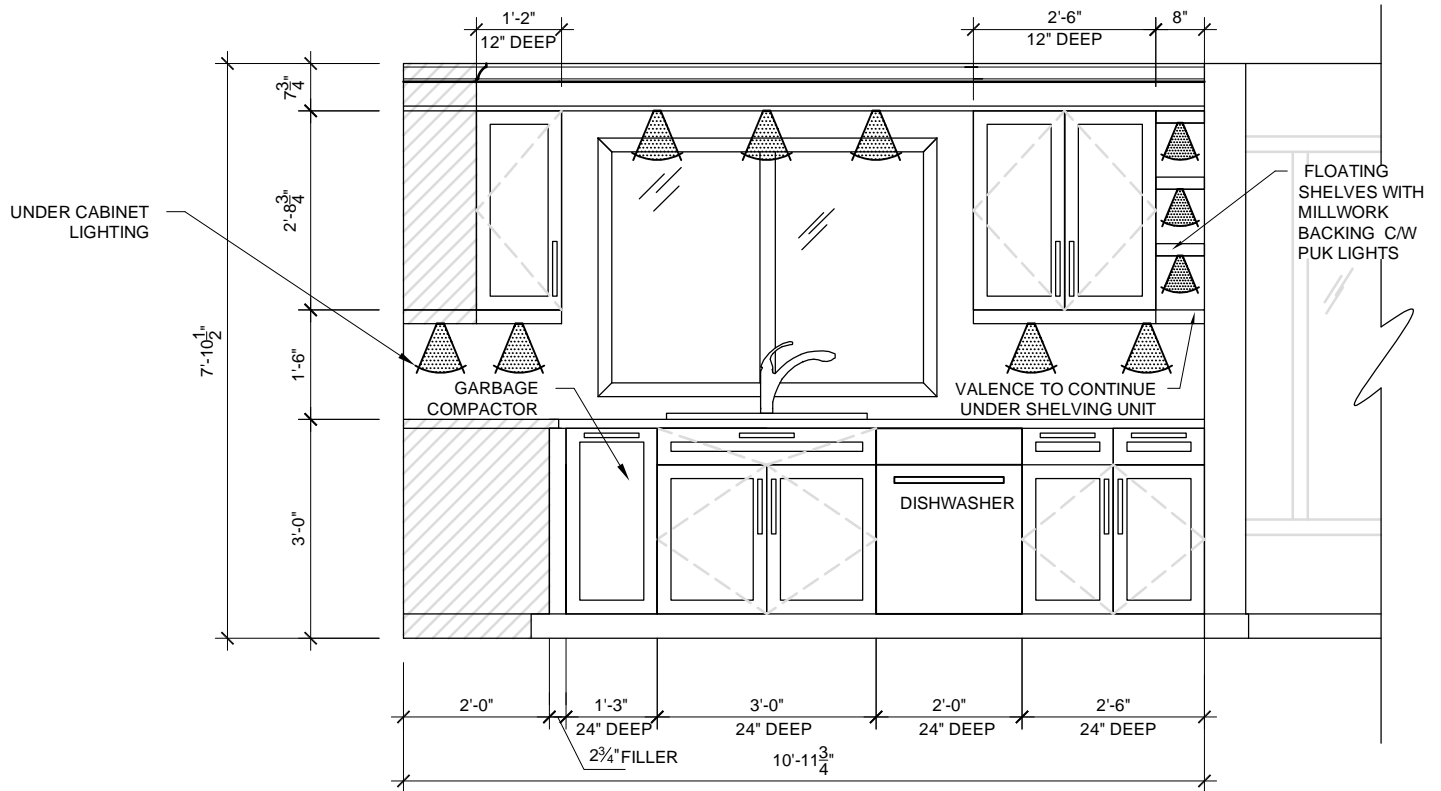
Make It Home
 Design / Build
 Renovation Company
 71 Ferndale Avenue
 Winnipeg, Manitoba, R3H 1T7
 Ph: (204) 290-8113

Kitchen/Living Room Renovation
 Winnipeg, Manitoba

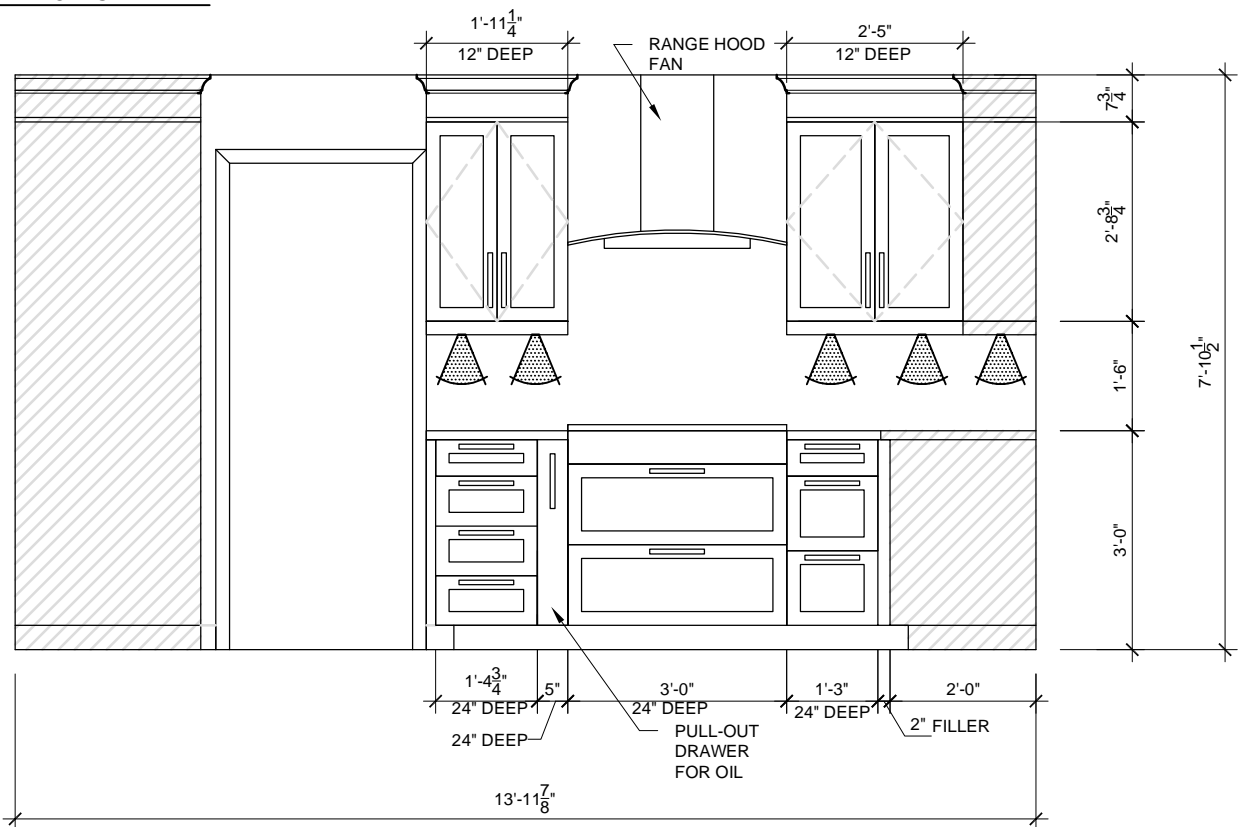
A2

DATE:
 2009

SCALE:
 as noted



1 KITCHEN ELEVATION: SINK WALL
3/8" = 1'-0"



2 KITCHEN ELEVATION: COOKTOP WALL
3/8" = 1'-0"

NOTE: THE USER OF THESE DRAWINGS IS TO VERIFY DATA CONTAINED HEREIN AND IS HELD RESPONSIBLE TO REPORT ANY OMISSIONS OR ANY DISCREPANCIES FOR AMENDMENT. MAKE IT HOME'S LIABILITY RELATED TO THESE DRAWINGS IS LIMITED TO MAKING THESE CHANGES. DRAWINGS ARE NOT TO BE SCALED.

General Notes:
 ALL DIMENSIONS ARE TO INSIDE OR OUTSIDE FACE OF STUDS, UNLESS OTHERWISE NOTED. CONTRACTOR SHALL VERIFY ALL DIMENSIONS ON SITE. ALL TYPES, SIZES, AND LOCATIONS OF DOORS AND WINDOWS TO BE VERIFIED BY OWNER. EXACT LOCATIONS OF INTERIOR PARTITIONS TO BE VERIFIED BY OWNER. ALL INTERIOR PARTITION WALLS ARE 2x4 STUDS @ 16" O.C. UNLESS OTHERWISE NOTED. WINDOWS ARE DOORS SIZES ARE TO BE CONFIRMED BY OWNER.



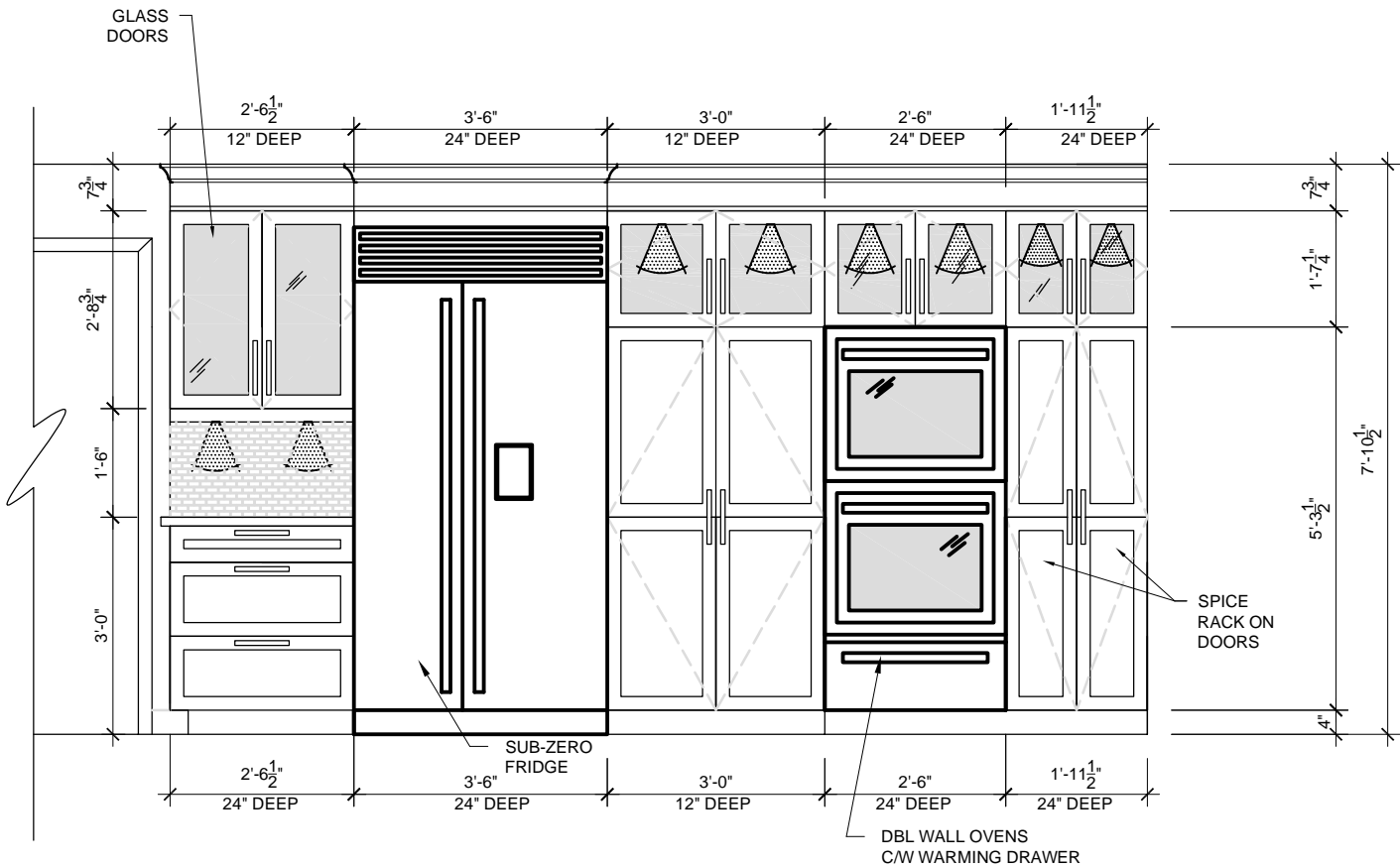
Make It Home
 Design / Build
 Renovation Company
 71 Ferndale Avenue
 Winnipeg, Manitoba, R3H 1T7
 Ph: (204) 290-8113

Kitchen/Living Room Renovation
 Winnipeg, Manitoba

DATE:
2009

SCALE:
as noted

A3



1 KITCHEN ELEVATION: FRIDGE WALL
 A4 3/8" = 1'-0"

NOTE: THE USER OF THESE DRAWINGS IS TO VERIFY DATA CONTAINED HEREIN AND IS HELD RESPONSIBLE TO REPORT ANY OMISSIONS OR ANY DISCREPANCIES FOR AMENDMENT. MAKE IT HOME'S LIABILITY RELATED TO THESE DRAWINGS IS LIMITED TO MAKING THESE CHANGES. DRAWINGS ARE NOT TO BE SCALED.

General Notes:
 ALL DIMENSIONS ARE TO INSIDE OR OUTSIDE FACE OF STUDS, UNLESS OTHERWISE NOTED. CONTRACTOR SHALL VERIFY ALL DIMENSIONS ON SITE. ALL TYPES, SIZES, AND LOCATIONS OF DOORS AND WINDOWS TO BE VERIFIED BY OWNER. EXACT LOCATIONS OF INTERIOR PARTITIONS TO BE VERIFIED BY OWNER. ALL INTERIOR PARTITION WALLS ARE 2x4 STUDS @ 16" O.C. UNLESS OTHERWISE NOTED. WINDOWS ARE DOORS SIZES ARE TO BE CONFIRMED BY OWNER.



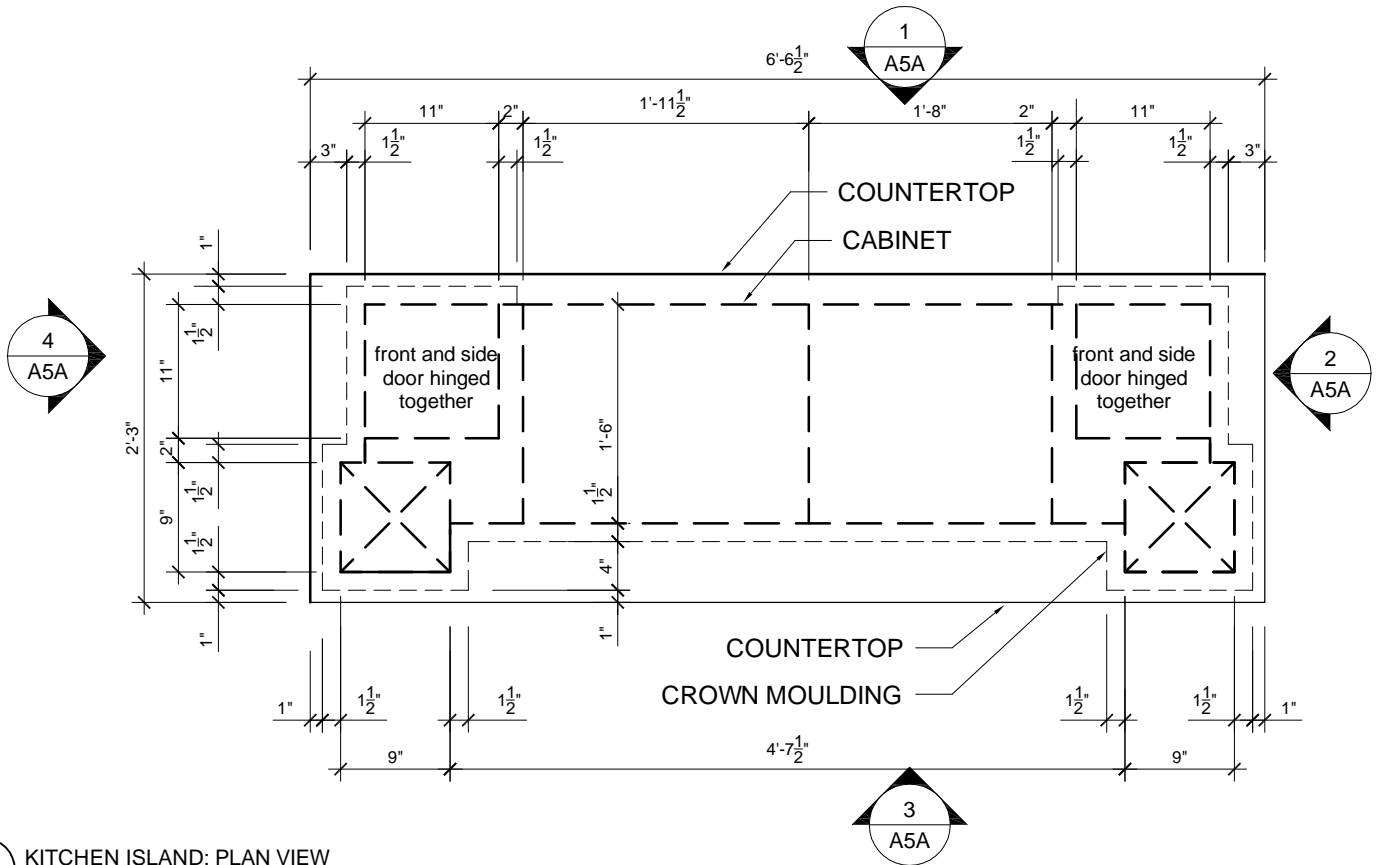
Make It Home
 Design / Build
 Renovation Company
 71 Ferndale Avenue
 Winnipeg, Manitoba, R3H 1T7
 Ph: (204) 290-8113

Kitchen/Living Room Renovation
 Winnipeg, Manitoba

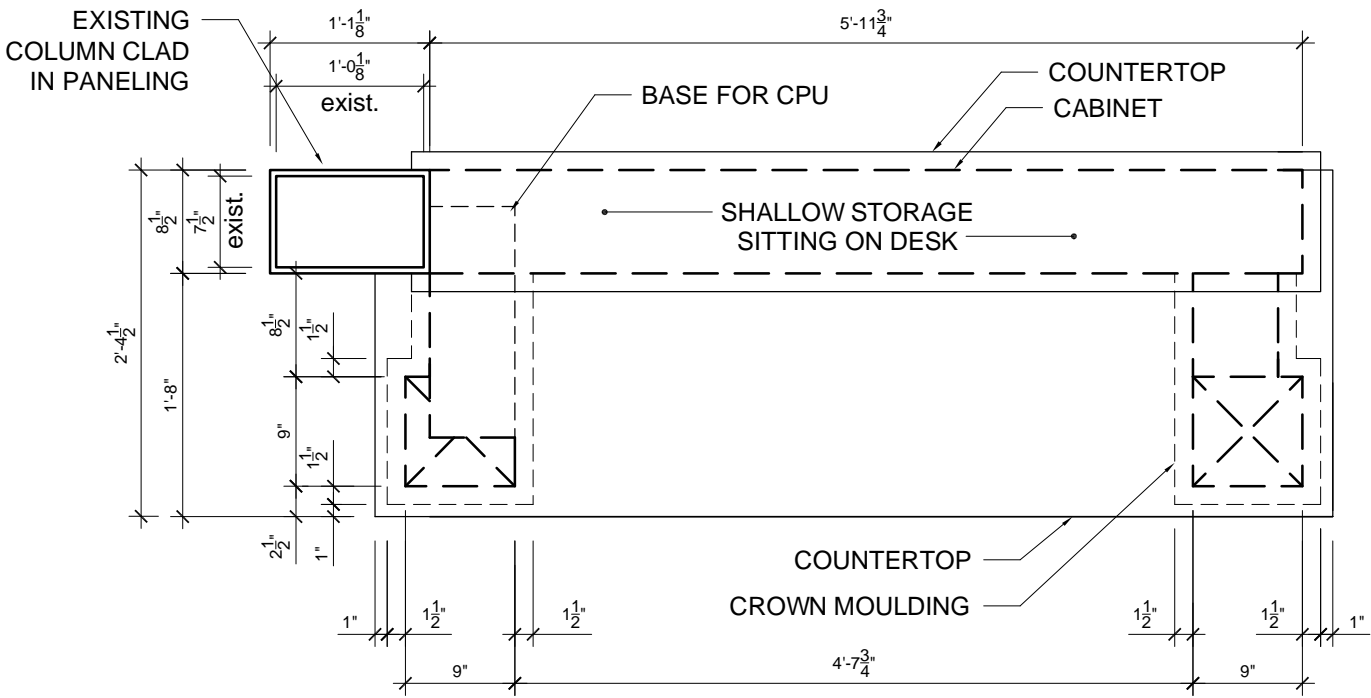
A4

DATE:
2009

SCALE:
as noted



1 KITCHEN ISLAND: PLAN VIEW
3/4" = 1'-0"



2 DESK: PLAN VIEW
3/4" = 1'-0"

NOTE: THE USER OF THESE DRAWINGS IS TO VERIFY DATA CONTAINED HEREIN AND IS HELD RESPONSIBLE TO REPORT ANY OMISSIONS OR ANY DISCREPANCIES FOR AMENDMENT. MAKE IT HOME'S LIABILITY RELATED TO THESE DRAWINGS IS LIMITED TO MAKING THESE CHANGES. DRAWINGS ARE NOT TO BE SCALED.

General Notes:
 ALL DIMENSIONS ARE TO INSIDE OR OUTSIDE FACE OF STUDS, UNLESS OTHERWISE NOTED. CONTRACTOR SHALL VERIFY ALL DIMENSIONS ON SITE. ALL TYPES, SIZES, AND LOCATIONS OF DOORS AND WINDOWS TO BE VERIFIED BY OWNER. EXACT LOCATIONS OF INTERIOR PARTITIONS TO BE VERIFIED BY OWNER. ALL INTERIOR PARTITION WALLS ARE 2x4 STUDS @ 16" O.C. UNLESS OTHERWISE NOTED. WINDOWS ARE DOORS SIZES ARE TO BE CONFIRMED BY OWNER.

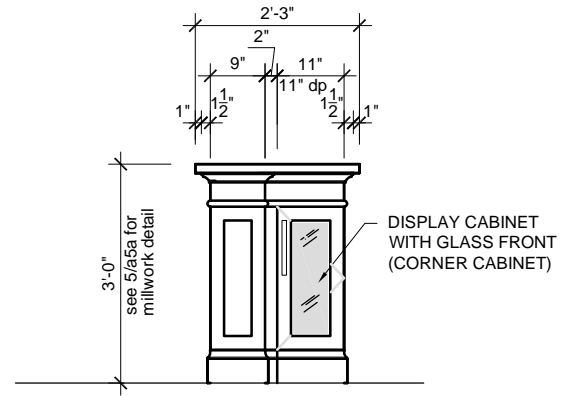
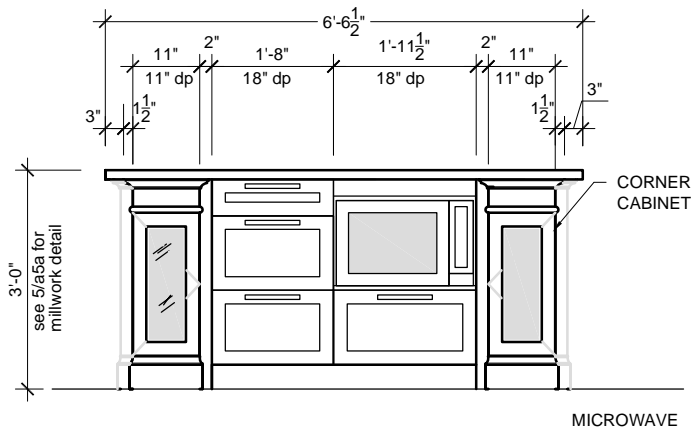


Make It Home
 Design / Build
 Renovation Company
 71 Ferndale Avenue
 Winnipeg, Manitoba, R3H 1T7
 Ph: (204) 290-8113

Kitchen/Living Room Renovation
 Winnipeg, Manitoba

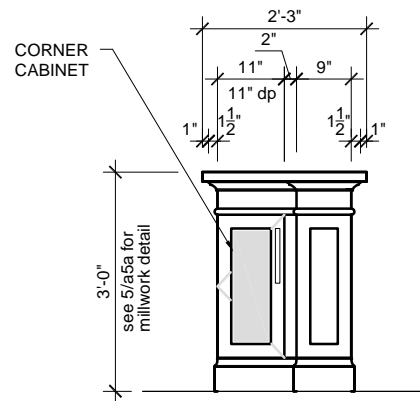
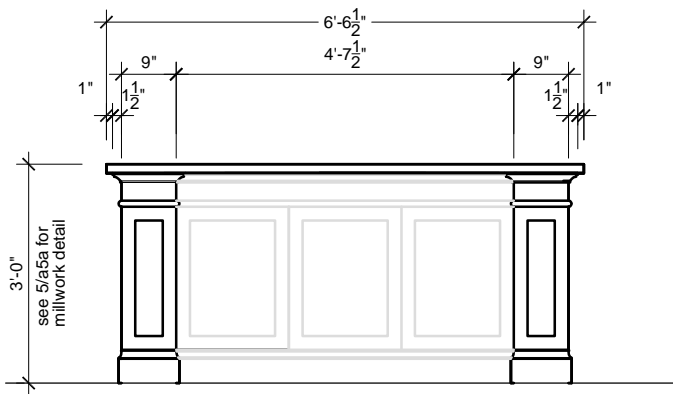
DATE: 2009
 SCALE: as noted

A5



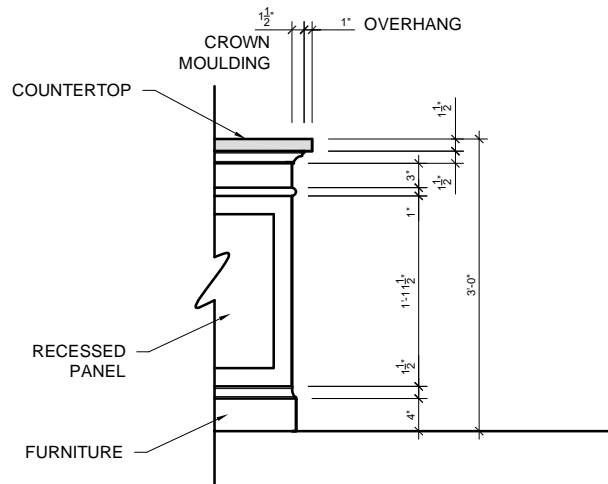
1 KITCHEN ISLAND ELEVATION
A5a 3/8" = 1'-0"

2 KITCHEN ISLAND ELEVATION
A5a 3/8" = 1'-0"



3 KITCHEN ISLAND ELEVATION
A5a 3/8" = 1'-0"

4 KITCHEN ISLAND ELEVATION
A5a 3/8" = 1'-0"



5 KITCHEN ISLAND MILLWORK DETAIL
A5a 1/2" = 1'-0"

NOTE: THE USER OF THESE DRAWINGS IS TO VERIFY DATA CONTAINED HEREIN AND IS HELD RESPONSIBLE TO REPORT ANY OMISSIONS OR ANY DISCREPANCIES FOR AMENDMENT. MAKE IT HOME'S LIABILITY RELATED TO THESE DRAWINGS IS LIMITED TO MAKING THESE CHANGES. DRAWINGS ARE NOT TO BE SCALED.

General Notes:
ALL DIMENSIONS ARE TO INSIDE OR OUTSIDE FACE OF STUDS, UNLESS OTHERWISE NOTED. CONTRACTOR SHALL VERIFY ALL DIMENSIONS ON SITE. ALL TYPES, SIZES, AND LOCATIONS OF DOORS AND WINDOWS TO BE VERIFIED BY OWNER. EXACT LOCATIONS OF INTERIOR PARTITIONS TO BE VERIFIED BY OWNER. ALL INTERIOR PARTITION WALLS ARE 2x4 STUDS @ 16" O.C. UNLESS OTHERWISE NOTED. WINDOWS ARE DOORS SIZES ARE TO BE CONFIRMED BY OWNER.



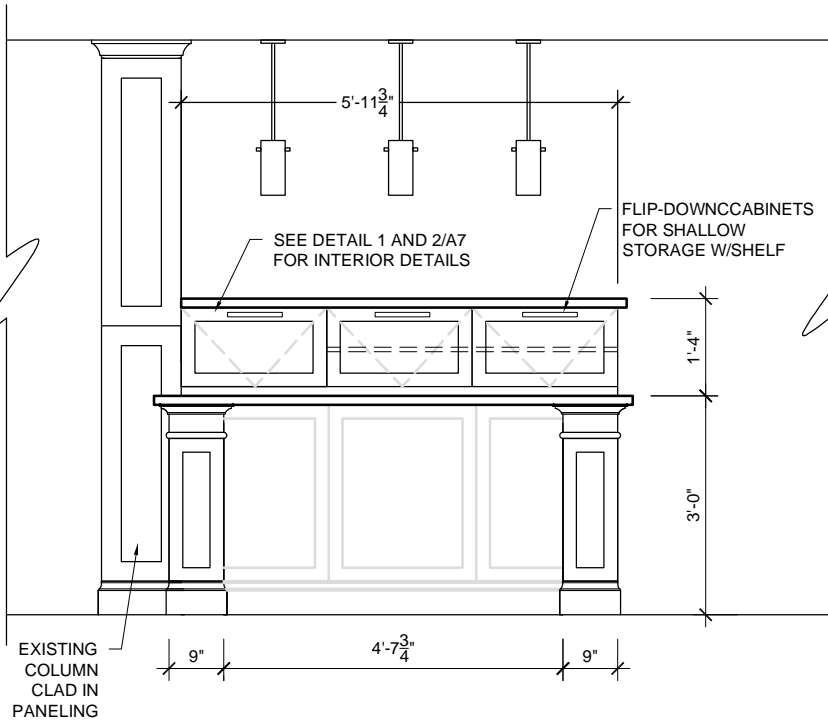
Make It Home
Design / Build
Renovation Company
71 Ferndale Avenue
Winnipeg, Manitoba, R3H 1T7
Ph: (204) 290-8113

Kitchen/Living Room Renovation
Winnipeg, Manitoba

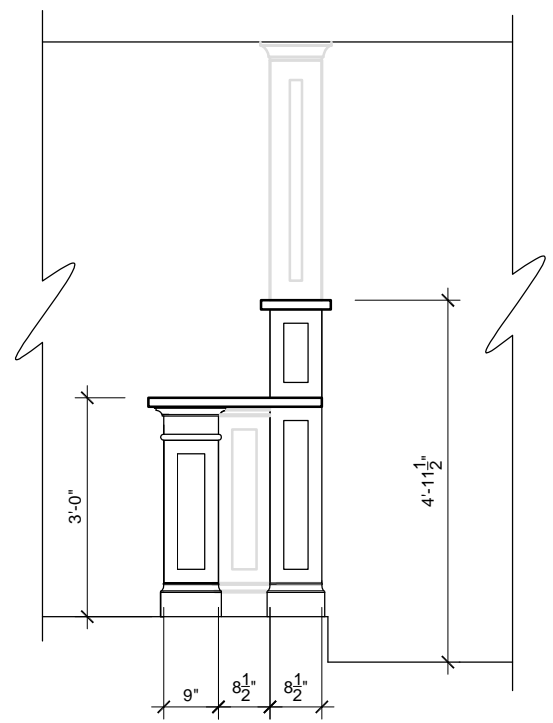
DATE:
2009

SCALE:
as noted

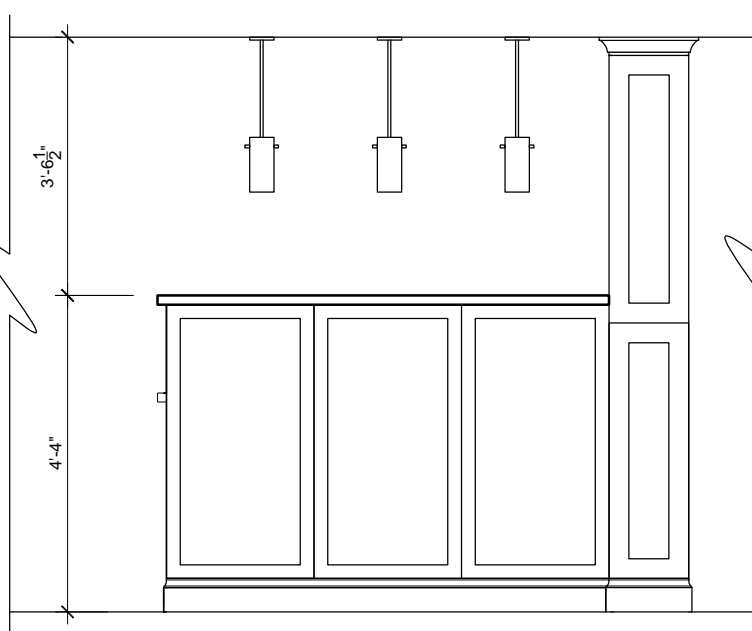
A5a



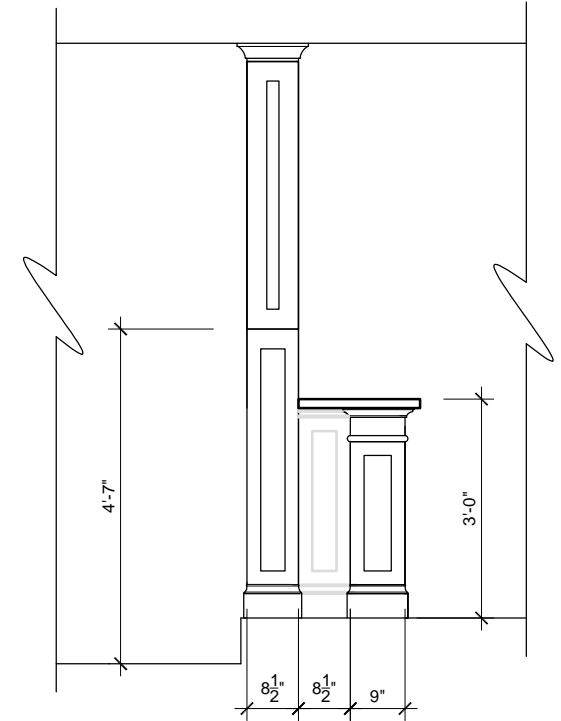
1 KITCHEN "DESK" ELEVATION
A6a 3/8" = 1'-0"



2 KITCHEN "DESK" ELEVATION
A6a 3/8" = 1'-0"



3 KITCHEN "DESK" ELEVATION
A6a 3/8" = 1'-0"



4 KITCHEN "DESK" ELEVATION
A6a 3/8" = 1'-0"

NOTE: THE USER OF THESE DRAWINGS IS TO VERIFY DATA CONTAINED HEREIN AND IS HELD RESPONSIBLE TO REPORT ANY OMISSIONS OR ANY DISCREPANCIES FOR AMENDMENT. MAKE IT HOME'S LIABILITY RELATED TO THESE DRAWINGS IS LIMITED TO MAKING THESE CHANGES. DRAWINGS ARE NOT TO BE SCALED.

General Notes:
ALL DIMENSIONS ARE TO INSIDE OR OUTSIDE FACE OF STUDS, UNLESS OTHERWISE NOTED. CONTRACTOR SHALL VERIFY ALL DIMENSIONS ON SITE. ALL TYPES, SIZES, AND LOCATIONS OF DOORS AND WINDOWS TO BE VERIFIED BY OWNER. EXACT LOCATIONS OF INTERIOR PARTITIONS TO BE VERIFIED BY OWNER. ALL INTERIOR PARTITION WALLS ARE 2x4 STUDS @ 16" O.C. UNLESS OTHERWISE NOTED. WINDOWS ARE DOORS SIZES ARE TO BE CONFIRMED BY OWNER.



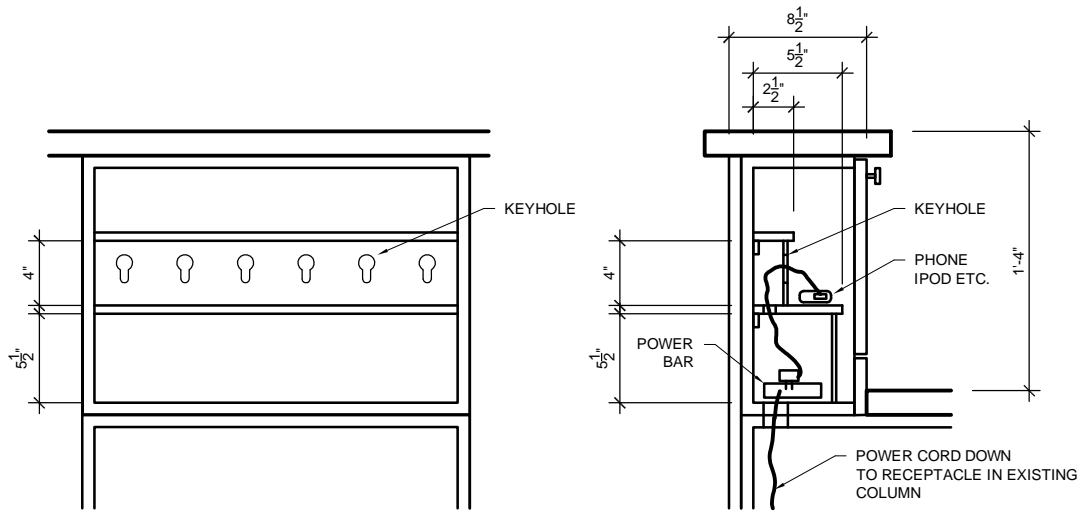
Make It Home
Design / Build
Renovation Company
71 Ferndale Avenue
Winnipeg, Manitoba, R3H 1T7
Ph: (204) 290-8113

Kitchen/Living Room Renovation
Winnipeg, Manitoba

DATE:
2009

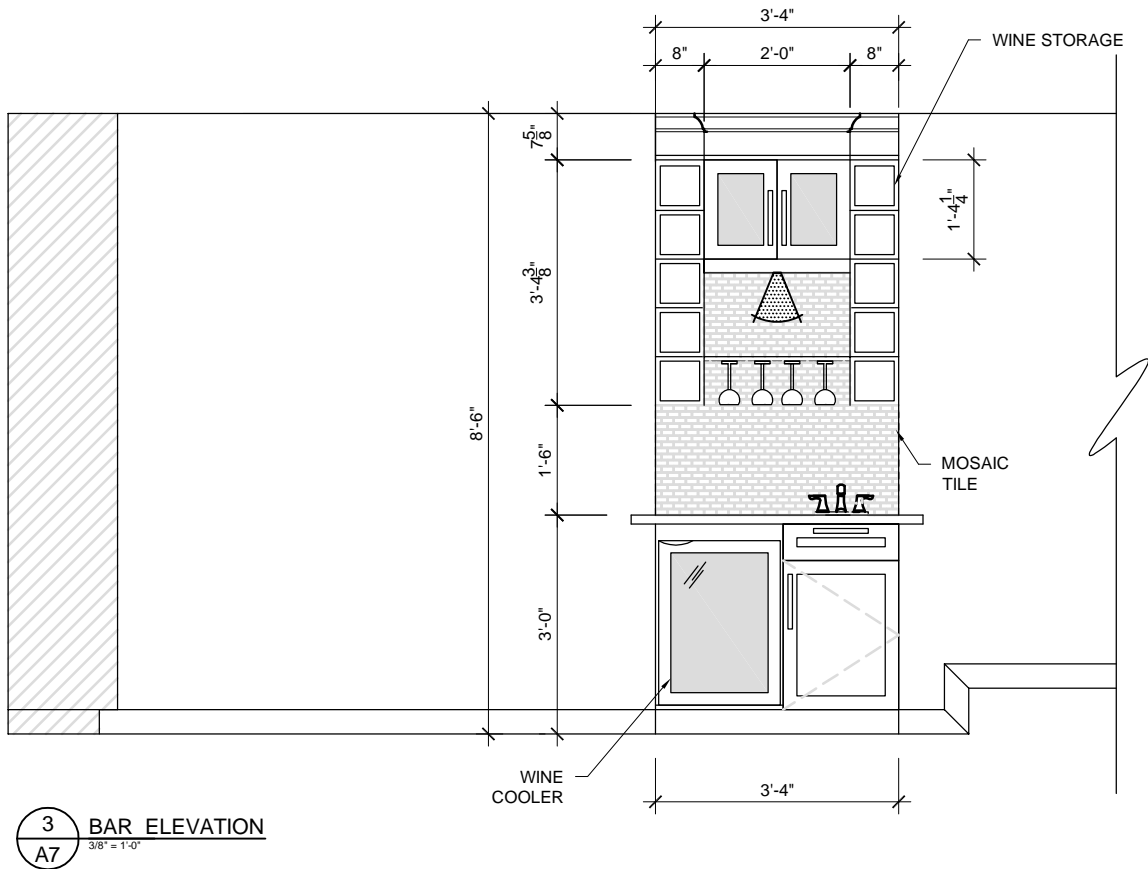
SCALE:
as noted

A6a



1 DOCKING STATION
A7 1" = 1'-0"

2 DOCKING STATION
A7 1" = 1'-0"



3 BAR ELEVATION
A7 3/8" = 1'-0"

NOTE: THE USER OF THESE DRAWINGS IS TO VERIFY DATA CONTAINED HEREIN AND IS HELD RESPONSIBLE TO REPORT ANY OMISSIONS OR ANY DISCREPANCIES FOR AMENDMENT. MAKE IT HOME'S LIABILITY RELATED TO THESE DRAWINGS IS LIMITED TO MAKING THESE CHANGES. DRAWINGS ARE NOT TO BE SCALED.

General Notes:
ALL DIMENSIONS ARE TO INSIDE OR OUTSIDE FACE OF STUDS, UNLESS OTHERWISE NOTED. CONTRACTOR SHALL VERIFY ALL DIMENSIONS ON SITE. ALL TYPES, SIZES, AND LOCATIONS OF DOORS AND WINDOWS TO BE VERIFIED BY OWNER. EXACT LOCATIONS OF INTERIOR PARTITIONS TO BE VERIFIED BY OWNER. ALL INTERIOR PARTITION WALLS ARE 2x4 STUDS @ 16" O.C. UNLESS OTHERWISE NOTED. WINDOWS ARE DOORS SIZES ARE TO BE CONFIRMED BY OWNER.



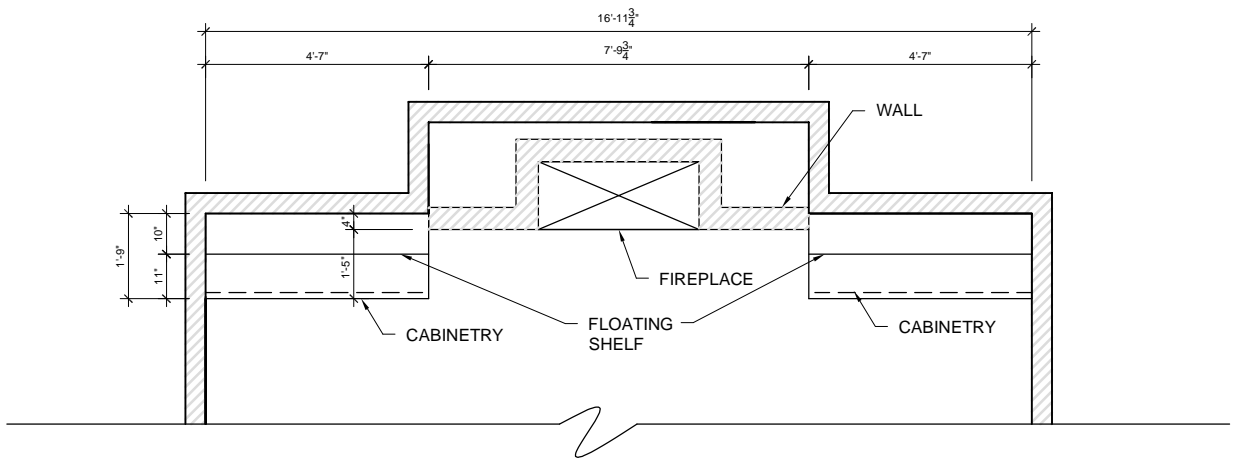
Make It Home
Design / Build
Renovation Company
71 Ferndale Avenue
Winnipeg, Manitoba, R3H 1T7
Ph: (204) 290-8113

Kitchen/Living Room Renovation
Winnipeg, Manitoba

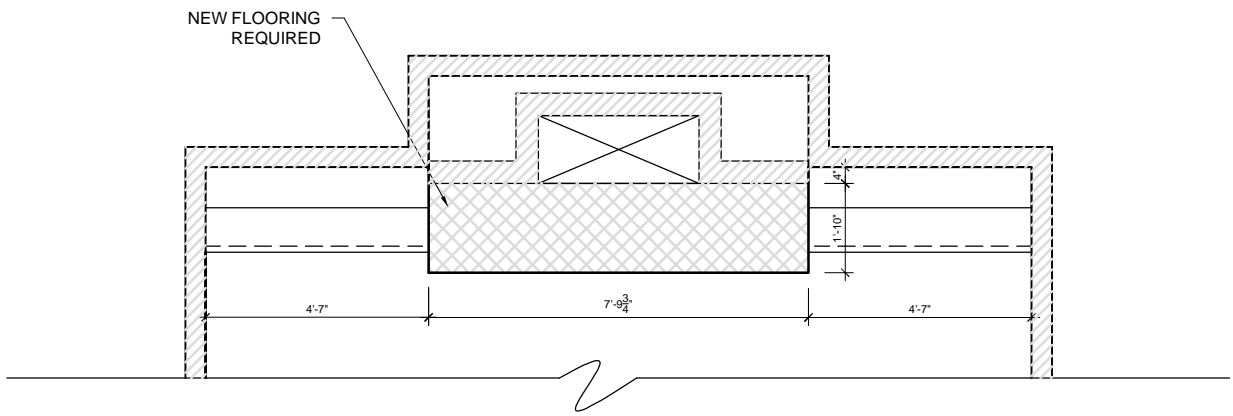
A7

DATE:
2009

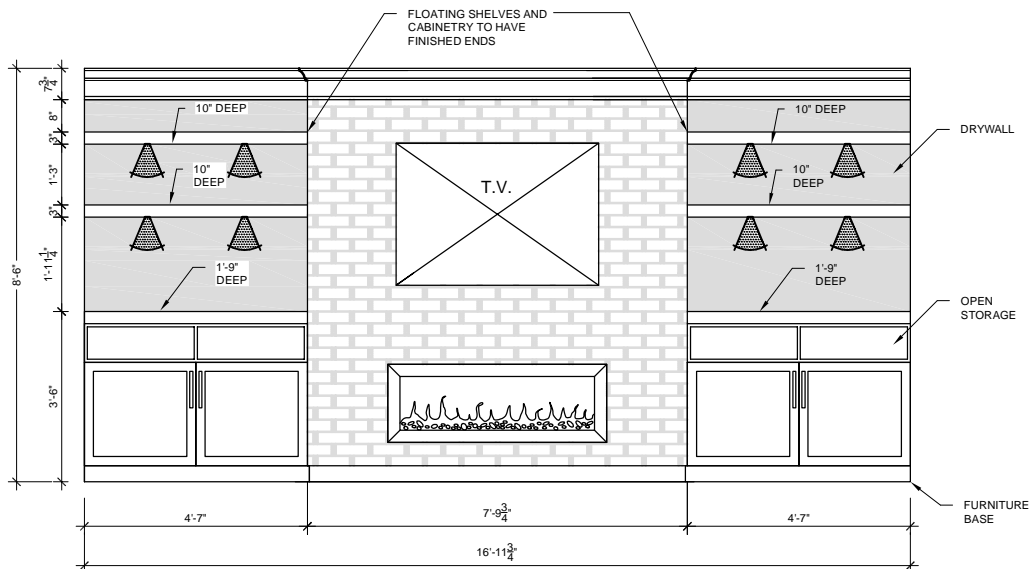
SCALE:
as noted



1 FIREPLACE WALL: FLOOR PLAN: OPTION 1
 A8 1/4" = 1'-0"



2 FIREPLACE WALL: FLOORING THAT WILL BE REQUIRED TO BE ADDED: OPTION 1
 A8 1/4" = 1'-0"



3 FIREPLACE WALL: ELEVATION: OPTION 1
 A8 1/4" = 1'-0"

NOTE: THE USER OF THESE DRAWINGS IS TO VERIFY DATA CONTAINED HEREIN AND IS HELD RESPONSIBLE TO REPORT ANY OMISSIONS OR ANY DISCREPANCIES FOR AMENDMENT. MAKE IT HOME'S LIABILITY RELATED TO THESE DRAWINGS IS LIMITED TO MAKING THESE CHANGES. DRAWINGS ARE NOT TO BE SCALED.

General Notes:
 ALL DIMENSIONS ARE TO INSIDE OR OUTSIDE FACE OF STUDS, UNLESS OTHERWISE NOTED. CONTRACTOR SHALL VERIFY ALL DIMENSIONS ON SITE. ALL TYPES, SIZES, AND LOCATIONS OF DOORS AND WINDOWS TO BE VERIFIED BY OWNER. EXACT LOCATIONS OF INTERIOR PARTITIONS TO BE VERIFIED BY OWNER. ALL INTERIOR PARTITION WALLS ARE 2x4 STUDS @ 16" O.C. UNLESS OTHERWISE NOTED. WINDOWS ARE DOORS SIZES ARE TO BE CONFIRMED BY OWNER.



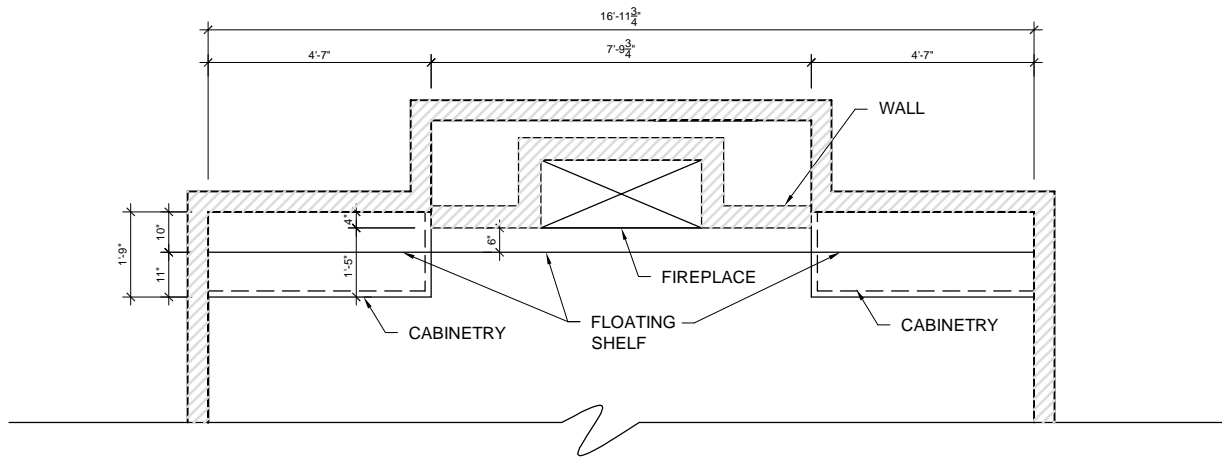
Make It Home
 Design / Build
 Renovation Company
 71 Ferndale Avenue
 Winnipeg, Manitoba, R3H 1T7
 Ph: (204) 290-8113

Kitchen/Living Room Renovation
 Winnipeg, Manitoba

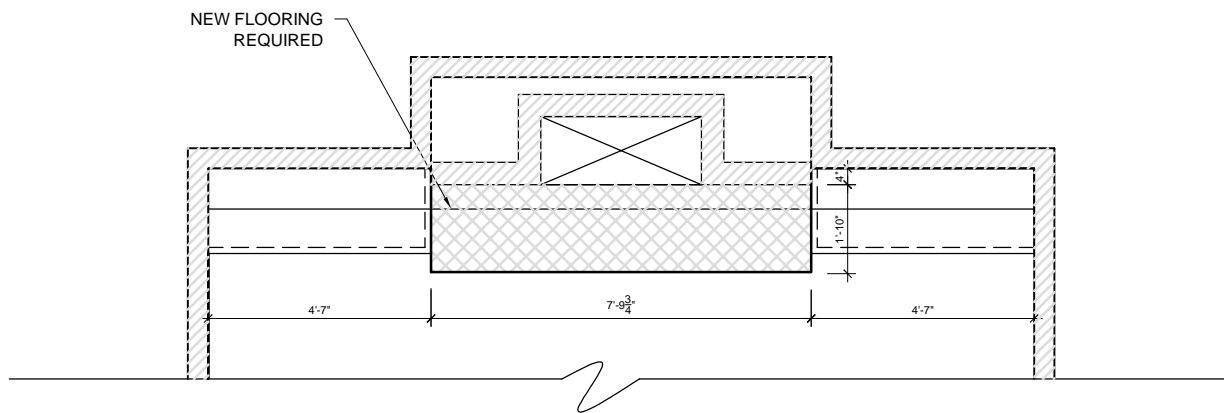
DATE:
 2009

SCALE:
 as noted

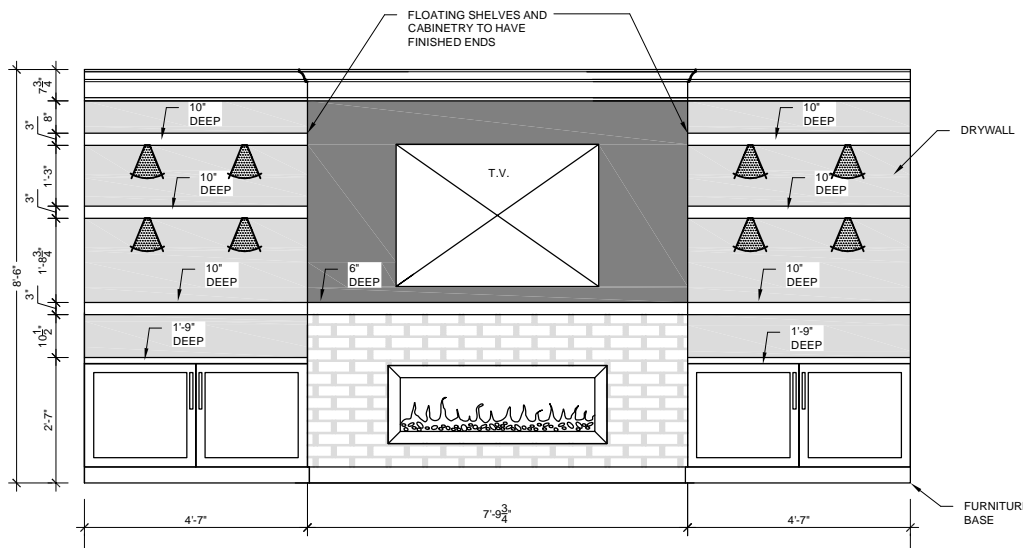
A8



1 FIREPLACE WALL: FLOOR PLAN: OPTION 2
A9 1/4" = 1'-0"



2 FIREPLACE WALL: FLOORING THAT WILL BE REQUIRED TO BE ADDED: OPTION 2
A9 1/4" = 1'-0"



3 FIREPLACE WALL: ELEVATION: OPTION 2
A9 1/4" = 1'-0"

NOTE: THE USER OF THESE DRAWINGS IS TO VERIFY DATA CONTAINED HEREIN AND IS HELD RESPONSIBLE TO REPORT ANY OMISSIONS OR ANY DISCREPANCIES FOR AMENDMENT. MAKE IT HOME'S LIABILITY RELATED TO THESE DRAWINGS IS LIMITED TO MAKING THESE CHANGES. DRAWINGS ARE NOT TO BE SCALED.

General Notes:
ALL DIMENSIONS ARE TO INSIDE OR OUTSIDE FACE OF STUDS, UNLESS OTHERWISE NOTED. CONTRACTOR SHALL VERIFY ALL DIMENSIONS ON SITE. ALL TYPES, SIZES, AND LOCATIONS OF DOORS AND WINDOWS TO BE VERIFIED BY OWNER. EXACT LOCATIONS OF INTERIOR PARTITIONS TO BE VERIFIED BY OWNER. ALL INTERIOR PARTITION WALLS ARE 2x4 STUDS @ 16" O.C. UNLESS OTHERWISE NOTED. WINDOWS ARE DOORS SIZES ARE TO BE CONFIRMED BY OWNER.



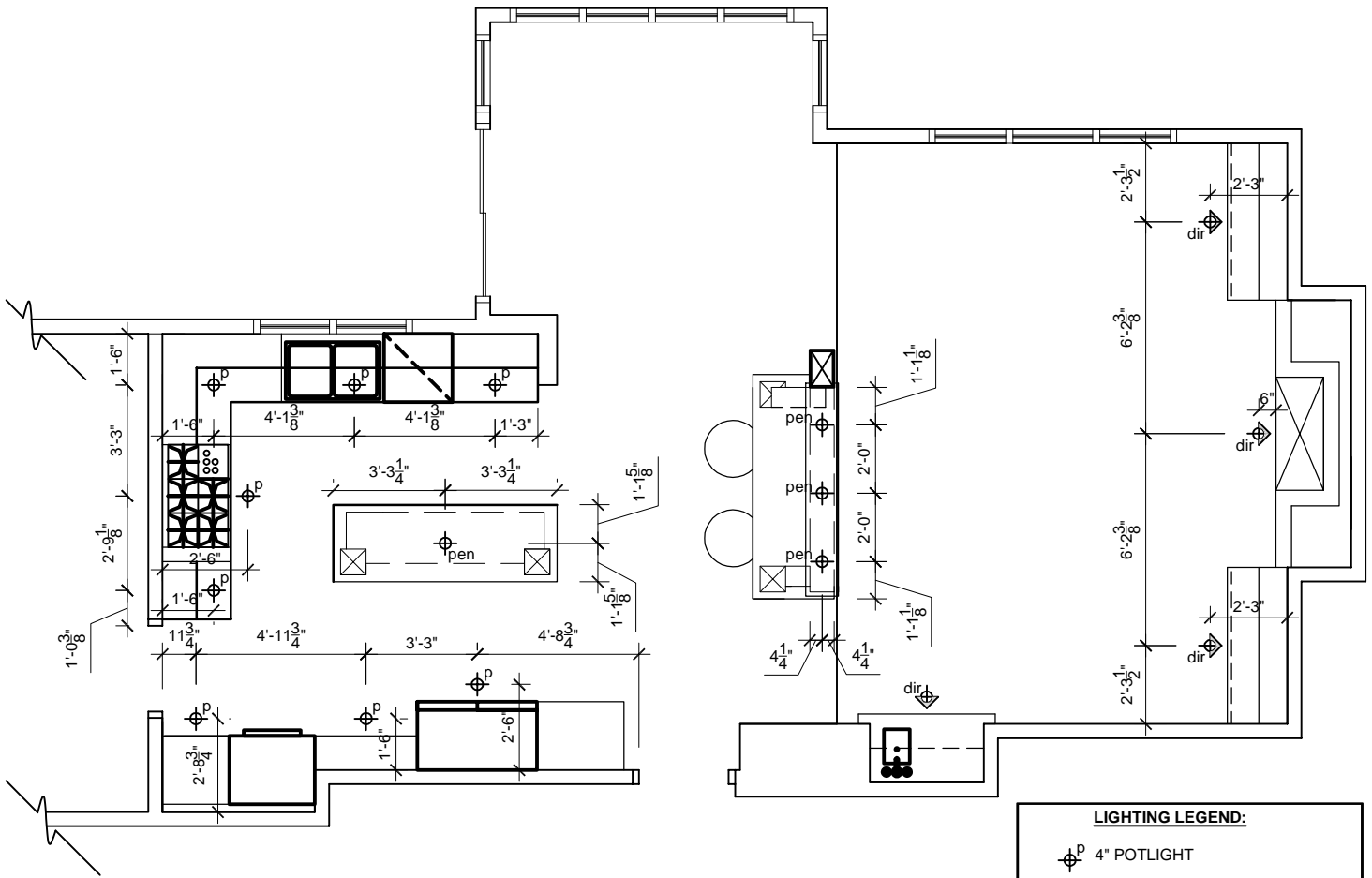
Make It Home
Design / Build
Renovation Company
71 Ferndale Avenue
Winnipeg, Manitoba, R3H 1T7
Ph: (204) 290-8113

Kitchen/Living Room Renovation
Winnipeg, Manitoba

DATE:
2009

SCALE:
as noted

A9



LIGHTING LEGEND:

\oplus^P	4" POTLIGHT
dir \oplus	EYEBALL DIRECTIONAL POTLIGHT
pen \oplus	PENDANT LIGHT

1 NEW LIGHTING PLAN
 E1 3/16" = 1'-0"

NOTE: THE USER OF THESE DRAWINGS IS TO VERIFY DATA CONTAINED HEREIN AND IS HELD RESPONSIBLE TO REPORT ANY OMISSIONS OR ANY DISCREPANCIES FOR AMENDMENT. MAKE IT HOME'S LIABILITY RELATED TO THESE DRAWINGS IS LIMITED TO MAKING THESE CHANGES. DRAWINGS ARE NOT TO BE SCALED.

General Notes:
 ALL DIMENSIONS ARE TO INSIDE OR OUTSIDE FACE OF STUDS, UNLESS OTHERWISE NOTED. CONTRACTOR SHALL VERIFY ALL DIMENSIONS ON SITE. ALL TYPES, SIZES, AND LOCATIONS OF DOORS AND WINDOWS TO BE VERIFIED BY OWNER. EXACT LOCATIONS OF INTERIOR PARTITIONS TO BE VERIFIED BY OWNER. ALL INTERIOR PARTITION WALLS ARE 2x4 STUDS @ 16" O.C. UNLESS OTHERWISE NOTED. WINDOWS ARE DOORS SIZES ARE TO BE CONFIRMED BY OWNER.



Make It Home
 Design / Build
 Renovation Company
 71 Ferndale Avenue
 Winnipeg, Manitoba, R3H 1T7
 Ph: (204) 290-8113

Kitchen/Living Room Renovation
 Winnipeg, Manitoba

E1

DATE:
2009

SCALE:
as noted